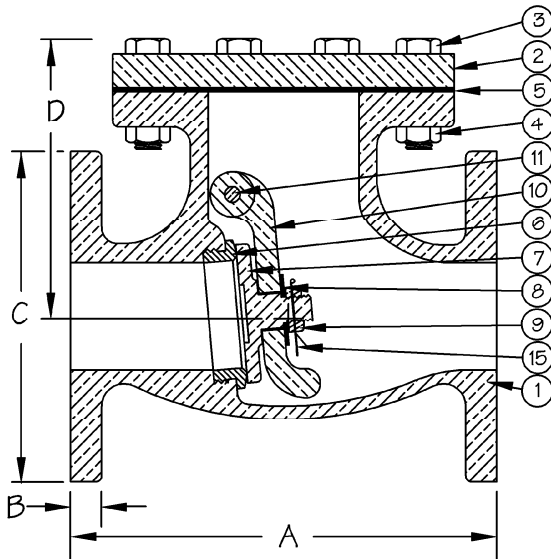


# ALUMINUM BRONZE CHECK

150 PSI, 1" - 14"  
FLANGED END, B.B., SWING CHECK  
MONEL TRIM

**FIGURE NO. AB1620E**



## BILL OF MATERIALS

PART	MATERIAL	SPEC.
1 BODY	ALUMINUM BRONZE	ASTM B148, 955/958
2 BONNET	ALUMINUM BRONZE	ASTM B148, 955/958
3 BONNET BOLT	SILICON BRONZE	ASTM B98
4 BONNET NUT	SILICON BRONZE	ASTM B98
5 BONNET GASKET	SYNTHETIC RUBBER	MIL-PRF-1149, CL. 2
6 SEAT RING	NI-CU ALLOY	ASTM A494, GR. M30H
7 DISC	NI-CU ALLOY	ASTM A494, GR. M30C
8 WASHER*	BRONZE	ASTM B61
9 DISC NUT	SILICON BRONZE	ASTM B98
10 HINGE	ALUMINUM BRONZE	ASTM B148, 955/958
11 HINGE PIN	NI-CU ALLOY	QQ-N-281, CL. A
12 HINGE PIN PLUG (N.S.)	NI-CU ALLOY	QQ-N-281
15 COTTER PIN**	NI-CU ALLOY	COMMERCIAL

\*WASHER USED IN 3-1/2" AND ABOVE.

\*\*COTTER PIN USED IN 2-1/2" AND ABOVE.

## DIMENSIONS

SIZE	1	1-1/4	1-1/2	2	2-1/2	3	3-1/2	4	5	6	8	10	12	14
A	5 <sup>7</sup> / <sub>8</sub>	6	6	8	8 <sup>1</sup> / <sub>4</sub>	9 <sup>1</sup> / <sub>2</sub>	10 <sup>1</sup> / <sub>2</sub>	11 <sup>1</sup> / <sub>4</sub>	13	14	19 <sup>1</sup> / <sub>2</sub>	24 <sup>1</sup> / <sub>2</sub>	27 <sup>1</sup> / <sub>2</sub>	31
B	3 <sup>3</sup> / <sub>8</sub>	7 <sup>7</sup> / <sub>16</sub>	7 <sup>7</sup> / <sub>16</sub>	1 <sup>1</sup> / <sub>2</sub>	9 <sup>9</sup> / <sub>16</sub>	5 <sup>5</sup> / <sub>8</sub>	11 <sup>11</sup> / <sub>16</sub>	11 <sup>11</sup> / <sub>16</sub>	3 <sup>3</sup> / <sub>4</sub>	13 <sup>13</sup> / <sub>16</sub>	15 <sup>15</sup> / <sub>16</sub>	1	1 <sup>1</sup> / <sub>16</sub>	1 <sup>3</sup> / <sub>16</sub>
C	4 <sup>1</sup> / <sub>4</sub>	4 <sup>5</sup> / <sub>8</sub>	5	6	7	7 <sup>1</sup> / <sub>2</sub>	8 <sup>1</sup> / <sub>2</sub>	9	10	11	13 <sup>1</sup> / <sub>2</sub>	16	19	21
D	4 <sup>5</sup> / <sub>16</sub>	4 <sup>5</sup> / <sub>16</sub>	4 <sup>5</sup> / <sub>16</sub>	4 <sup>5</sup> / <sub>32</sub>	5 <sup>3</sup> / <sub>4</sub>	6 <sup>1</sup> / <sub>4</sub>	7 <sup>5</sup> / <sub>16</sub>	6 <sup>7</sup> / <sub>8</sub>	7 <sup>9</sup> / <sub>16</sub>	9 <sup>1</sup> / <sub>4</sub>	11 <sup>3</sup> / <sub>4</sub>	13 <sup>5</sup> / <sub>8</sub>	11 <sup>9</sup> / <sub>16</sub>	15 <sup>1</sup> / <sub>4</sub>
WT	11	12	12	21	33	39	51	66	88	138	239	357	567	687

