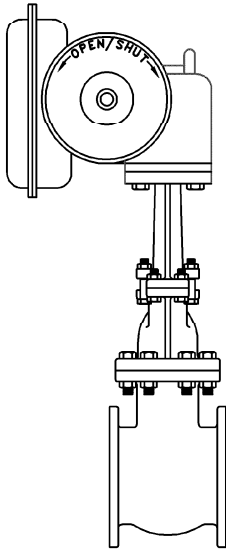
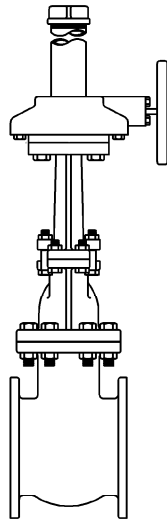


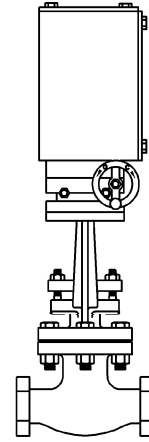
# GATES WITH OPERATORS



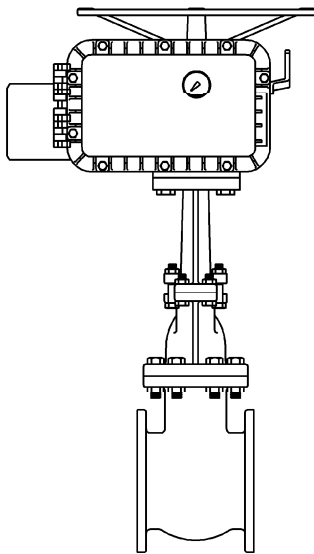
WITH  
ELECTRIC  
OPERATOR



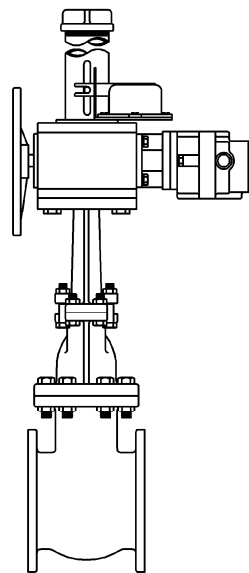
WITH  
BEVEL  
GEAR



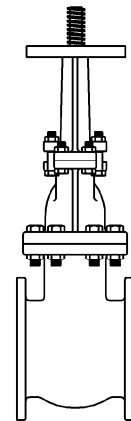
WITH  
ELECTRIC  
OPERATOR



WITH  
ELECTRIC  
OPERATOR



WITH  
HYDRAULIC  
OPERATOR



TO ACCEPT  
ELECTRIC OR  
HYDRAULIC

