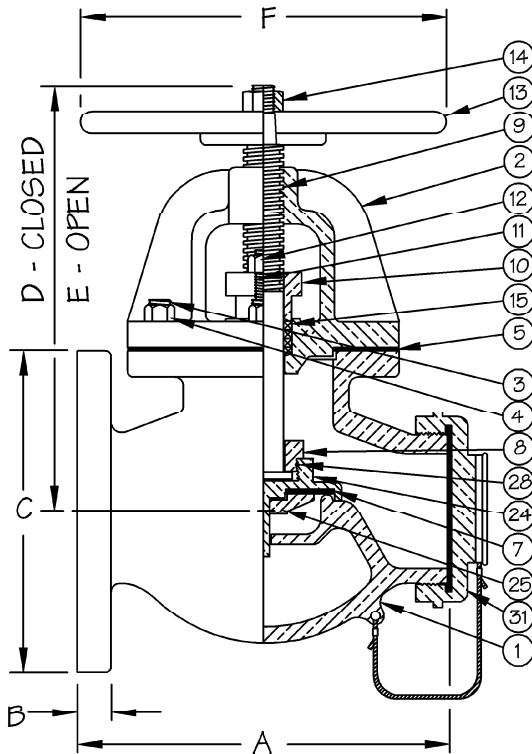


BRONZE GLOBE

250 PSI, 2-1/2"
FLANGED BY HOSE GLOBE,
BOLTED BONNET, MONEL TRIM,
WITH COMPOSITION DISC
FIGURE NO. NB25277EEC

NAV-SHIP DWG. 803-1385712



BILL OF MATERIALS

PART	MATERIAL	SPEC.
1 BODY	BRONZE	ASTM B61
2 BONNET	BRONZE	ASTM B61
3 BONNET STUD	NI-CU ALLOY	GRADE 400 MONEL
4 BONNET NUT	NI-CU ALLOY	GRADE 400 or 405 MONEL
5 BONNET GASKET	NITRILE	MIL-R-6855, CL. I
7 DISC	NITRILE	MIL-R-6855, CL. I
8 DISC NUT	BRONZE	ASTM B61
9 STEM	NI-CU ALLOY	QQ-N-281, CL. A
10 PACKING GLAND	BRONZE	ASTM B61
11 GLAND STUD	NI-CU ALLOY	GRADE 400 MONEL
12 GLAND NUT	NI-CU ALLOY	GRADE 400 or 405 MONEL
13 HANDWHEEL	BRASS	803-1385620
14 WHEELNUT	BRASS	ASTM B21
15 STEM PACKING	GRAPHITIC YARN/RING	MIL-P-24583/MIL-P-24503
24 DISC HOLDER	BRONZE	ASTM B61
25 DISC RETAINER	NI-CU ALLOY	QQ-N-281, CL. A
28 DISC PIN	NI-CU ALLOY	QQ-N-281, CL. A
31 HOSE CAP & WIRE	BRONZE	ASTM B61

DIMENSIONS

SIZE	2-1/2
A	$9\frac{5}{8}$
B	$1\frac{15}{16}$
C	$6\frac{1}{8}$
D	$9\frac{1}{4}$
E	$9\frac{7}{8}$
F	7
WT	41

