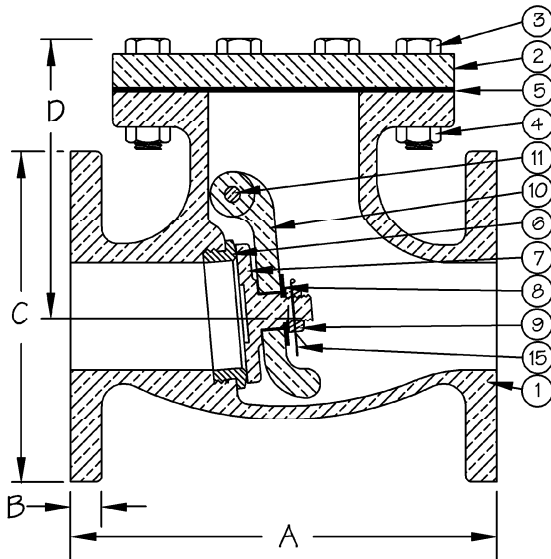


BRONZE CHECK

100 PSI, 1-1/2" - 14"
 FLANGED END, B.B., SWING CHECK
 BRONZE RING, MONEL DISC

FIGURE NO. NB01620AE

MIL-V-17547
 END FLANGE DRILLING MIL-F-20042, 150 LB.



BILL OF MATERIALS			
PART	MATERIAL	SPEC.	
1	BODY	BRONZE	ASTM B61
2	BONNET	BRONZE	ASTM B61
3	BONNET BOLT	NI-CU ALLOY	QQ-N-281, CL. A
4	BONNET NUT	NI-CU ALLOY	QQ-N-281, CL. A or B
5	BONNET GASKET	SYNTHETIC RUBBER	MIL-PRF-1149, CL. 2
6	SEAT RING	BRONZE	ASTM B61
7	DISC	MONEL	ASTM A494, GR. M30C
8	DISC WASHER*	NAVAL BRASS	ASTM B21
9	DISC NUT	SILICON BRONZE	ASTM B98
10	HINGE	BRONZE	ASTM B61
11	HINGE PIN	NI-CU ALLOY	QQ-N-281, CL. A
12	HINGE PIN PLUG (N.S.)	F.C. BRASS	ASTM B16
15	COTTER PIN	NI-CU ALLOY	COMMERCIAL

*DISC WASHER USED IN 3-1/2" AND ABOVE.

DIMENSIONS

SIZE	1-1/2	2	2-1/2	3	3-1/2	4	5	6	8	10	12	14
A	6	8	8 ⁵ / ₁₆	9	10 ¹ / ₂	11 ³ / ₄	13 ¹ / ₂	15 ¹ / ₂	19 ¹ / ₂	24 ¹ / ₂ *	27 ¹ / ₂	31
B	7/ ₁₆	7/ ₁₆	1/2	1/2	1/2	1/2	9/ ₁₆	9/ ₁₆	5/ ₈	11/ ₁₆	3/ ₄	13/ ₁₆
C	5 ¹ / ₁₆	5 ⁹ / ₁₆	6 ¹ / ₈	6 ⁵ / ₈	7 ³ / ₁₆	7 ¹¹ / ₁₆	9 ¹ / ₁₆	10 ¹ / ₈	12 ³ / ₈	15	17 ⁵ / ₈	19 ¹ / ₈
D	4 ⁵ / ₁₆	4 ⁵ / ₃₂	5 ³ / ₄	6 ¹ / ₄	7 ⁵ / ₁₆	6 ⁷ / ₈	7 ⁹ / ₁₆	9 ¹ / ₄	11 ³ / ₄	13 ⁵ / ₈	11 ⁹ / ₁₆	15 ¹ / ₄
WT	16	24	36	46	58	72	99	156	271	402	628	769

*CAN FURNISH 22" FACE TO FACE WHEN SPECIFIED.

