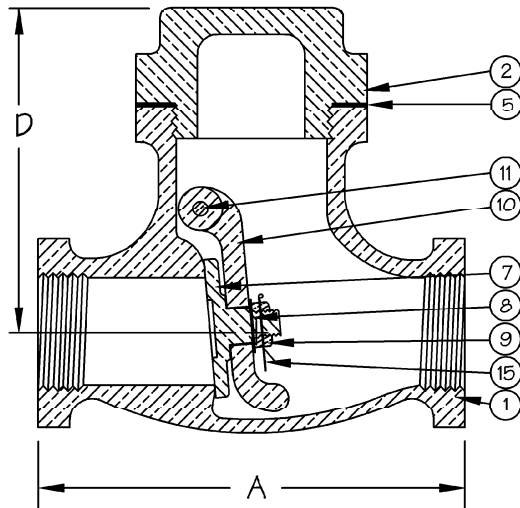


BRONZE CHECK

150 PSI, 3/4" - 2"
 THREADED END, THREADED BONNET
 SWING CHECK

FIGURE NO. B1610A-TB



BILL OF MATERIALS			
	PART	MATERIAL	SPEC.
1	BODY	BRONZE	ASTM B61 or B62
2	BONNET	BRONZE	ASTM B61 or B62
5	BONNET GASKET	SYNTHETIC RUBBER	MIL-PRF-1149, CL. 2
7	DISC	BRONZE	ASTM B61 or B62
8	WASHER	NI-CU ALLOY	QQ-N-281
9	DISC NUT	SILICON BRONZE	ASTM B98
10	HINGE	BRONZE	ASTM B61 or B62
11	HINGE PIN	NAVAL BRASS	ASTM B21
12	HINGE PIN PLUG (N.S.)	F.C. BRASS	ASTM B16
15	COTTER PIN	NI-CU ALLOY	COMMERCIAL

DIMENSIONS

SIZE	3/4	1	1-1/2	2
A	$5\frac{7}{8}$	$5\frac{7}{8}$	6	8
D	$4\frac{5}{16}$	$4\frac{5}{16}$	$4\frac{5}{16}$	$4\frac{5}{8}$
WT	8	8	10	20

