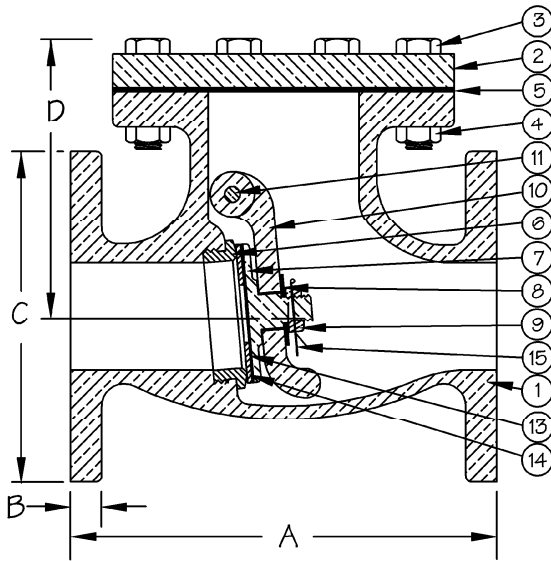


BRONZE CHECK

150 PSI, 1" - 14"
 FLANGED END, B.B., MONEL TRIM
 SWING CHECK

FIGURE NO. B1620E



BILL OF MATERIALS			
PART	MATERIAL	SPEC.	
1	BODY	BRONZE	ASTM B61 or B62
2	BONNET	BRONZE	ASTM B61 or B62
3	BONNET BOLT	SILICON BRONZE	ASTM B98
4	BONNET NUT	SILICON BRONZE	ASTM B98
5	BONNET GASKET	SYNTHETIC RUBBER	MIL-PRF-1149, CL. 2
6	SEAT RING	NI-CU ALLOY	ASTM A494, GR. M30H
7	DISC*	BRONZE	ASTM B61 or B62
8	WASHER**	BRONZE	ASTM B61
9	DISC NUT***	SILICON BRONZE/NI-CU ALLOY	ASTM B98/QQ-N-281, CL. A or B
10	HINGE	BRONZE	ASTM B61 or B62
11	HINGE PIN	NI-CU ALLOY	QQ-N-281, CL. A
12	HINGE PIN PLUG (N.S.)	F.C. BRASS	ASTM B16
13	SILVER SOLDFER	SILVER SOLDFER	MIL -S-15395
14	INSERT	NI-CU ALLOY	QQ-N-288
15	COTTER PIN****	NI-CU ALLOY	COMMERCIAL
32	SOLID MONEL DISC	NI-CU ALLOY	ASTM A494, GR. M30C
33	DISC ASSEMBLY	PCS 7, 13 & 14	SEE INDIVIDUAL PIECES

*WHEN FURNISHED AS SOLID MONEL USE PART NO. 32.

**WASHER USED IN 3-1/2" AND ABOVE.

***NI-CU ALLOY DISC NUT USED IN 1" - 3".

****SILICON BRONZE DISC NUT USED IN 3-1/2" - 14".

*****COTTER PIN USED IN 2-1/2" AND ABOVE.

DIMENSIONS

SIZE	1	1-1/4	1-1/2	2	2-1/2	3	3-1/2	4	5	6	8	10	12	14
A	5 ⁷ / ₈	6	6	8	8 ¹ / ₄	9 ¹ / ₂	10 ¹ / ₂	11 ¹ / ₄	13	14	19 ¹ / ₂	24 ¹ / ₂	27 ¹ / ₂	31
B	3 ³ / ₈	13 ¹³ / ₃₂	7 ⁷ / ₁₆	1 ¹ / ₂	9 ⁹ / ₁₆	5 ⁵ / ₈	11 ¹¹ / ₁₆	11 ¹¹ / ₁₆	3 ³ / ₄	13 ¹³ / ₁₆	15 ¹⁵ / ₁₆	1	1 ¹ / ₁₆	1 ³ / ₁₆
C	4 ¹ / ₄	4 ⁵ / ₈	5	6	7	7 ¹ / ₂	8 ¹ / ₂	9	10	11	13 ¹ / ₂	16	19	21
D	4 ⁵ / ₁₆	4 ⁵ / ₁₆	4 ⁵ / ₁₆	4 ⁵ / ₃₂	5 ³ / ₄	6 ¹ / ₄	7 ⁵ / ₁₆	6 ⁷ / ₈	7 ⁹ / ₁₆	9 ¹ / ₄	11 ³ / ₄	13 ⁵ / ₈	11 ⁹ / ₁₆	15 ¹ / ₄
WT	12	14	14	24	39	49	58	78	107	161	284	436	667	809

