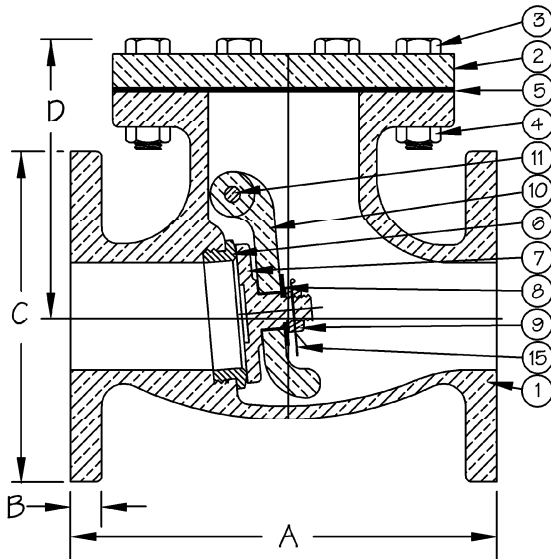


ALUMINUM BRONZE CHECK

150 PSI, 1" - 14"
FLANGED END, B.B., SWING CHECK
ALUMINUM BRONZE TRIM

FIGURE NO. AB1620AB



BILL OF MATERIALS

| PART | MATERIAL | SPEC. |
|--------------------------|------------------|---------------------|
| 1 BODY | ALUMINUM BRONZE | ASTM B148, 955/958 |
| 2 BONNET | ALUMINUM BRONZE | ASTM B148, 955/958 |
| 3 BONNET BOLT | SILICON BRONZE | ASTM B98 |
| 4 BONNET NUT | SILICON BRONZE | ASTM B98 |
| 5 BONNET GASKET | SYNTHETIC RUBBER | MIL-PRF-1149, CL. 2 |
| 6 SEAT RING | ALUMINUM BRONZE | ASTM B148, 955/958 |
| 7 DISC | ALUMINUM BRONZE | ASTM B148, 955/958 |
| 8 WASHER* | BRONZE | ASTM B61 |
| 9 DISC NUT | SILICON BRONZE | ASTM B98 |
| 10 HINGE | ALUMINUM BRONZE | ASTM B148, 955/958 |
| 11 HINGE PIN | NAVAL BRASS | ASTM B21 |
| 12 HINGE PIN PLUG (N.S.) | F.C. BRASS | ASTM B16 |
| 15 COTTER PIN** | NI-CU ALLOY | COMMERCIAL |

*WASHER USED IN 3-1/2" AND ABOVE.

**COTTER PIN USED ON 2-1/2" AND ABOVE.

DIMENSIONS

| SIZE | 1 | 1-1/4 | 1-1/2 | 2 | 2-1/2 | 3 | 3-1/2 | 4 | 5 | 6 | 8 | 10 | 12 | 14 |
|------|--------------------------------|--------------------------------|--------------------------------|--------------------------------|-------------------------------|-------------------------------|--------------------------------|--------------------------------|--------------------------------|-------------------------------|--------------------------------|--------------------------------|---------------------------------|--------------------------------|
| A | 5 ⁷ / ₈ | 6 | 6 | 8 | 8 ¹ / ₄ | 9 ¹ / ₄ | 10 ¹ / ₂ | 11 ¹ / ₄ | 13 | 14 | 19 ¹ / ₂ | 24 ¹ / ₂ | 27 ¹ / ₂ | 31 |
| B | 3/8 | 13/32 | 7/16 | 1/2 | 9/16 | 5/8 | 11/16 | 11/16 | 3/4 | 13/16 | 15/16 | 1 | 1 ¹ / ₁₆ | 1 ³ / ₁₆ |
| C | 4 ¹ / ₄ | 4 ⁵ / ₈ | 5 | 6 | 7 | 7 ¹ / ₂ | 8 ¹ / ₂ | 9 | 10 | 11 | 13 ¹ / ₂ | 16 | 19 | 21 |
| D | 4 ⁵ / ₁₆ | 4 ⁵ / ₁₆ | 4 ⁵ / ₁₆ | 4 ⁵ / ₃₂ | 5 ³ / ₄ | 6 ¹ / ₄ | 7 ⁵ / ₁₆ | 6 ⁷ / ₈ | 7 ⁹ / ₁₆ | 9 ¹ / ₄ | 11 ³ / ₄ | 13 ⁵ / ₈ | 11 ⁹ / ₁₆ | 15 ¹ / ₄ |
| WT | 11 | 12 | 12 | 21 | 33 | 39 | 51 | 66 | 88 | 138 | 239 | 357 | 567 | 687 |

