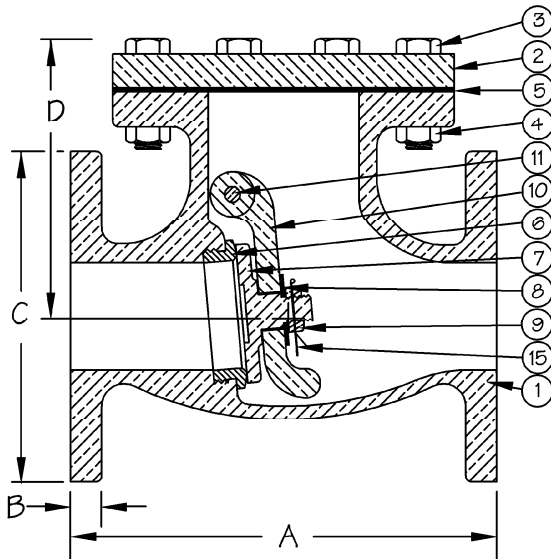


ALUMINUM CHECK

150 PSI, 1" - 14"
 FLANGED END, B.B.,
 ALUMINUM TRIM, SWING CHECK
FIGURE NO. A1620



BILL OF MATERIALS			
PART	MATERIAL	SPEC.	
1	BODY	ALUMINUM	ASTM B26, GR. 5G70A
2	BONNET	ALUMINUM	ASTM B26, GR. 5G70A
3	BONNET BOLT	STAINLESS STEEL	AISI TY. 303
4	BONNET NUT	STAINLESS STEEL	AISI TY. 303
5	BONNET GASKET	SYNTHETIC RUBBER	MIL-PRF-1149, CL. 2
6	SEAT RING	ALUMINUM	ASTM B26, GR. 5G70A
7	DISC	ALUMINUM	ASTM B26, GR. 5G70A
8	WASHER*	STAINLESS STEEL	AISI TY. 303
9	DISC NUT	STAINLESS STEEL	AISI TY. 303
10	HINGE	ALUMINUM	ASTM B26, GR. 5G70A
11	HINGE PIN	STAINLESS STEEL	AISI TY. 303
12	HINGE PIN PLUG (N.S.)	F.C. BRASS	ASTM B16
15	COTTER PIN**	NI-CU ALLOY	COMMERCIAL

*WASHER USED IN 3-1/2" AND ABOVE.

**COTTER PIN USED IN 2-1/2" AND ABOVE.

DIMENSIONS

SIZE	1	1-1/4	1-1/2	2	2-1/2	3	3-1/2	4	5	6	8	10	12	14
A	5 ⁷ / ₈	6	6	8	8 ¹ / ₄	9 ¹ / ₂	10 ¹ / ₂	11 ¹ / ₄	13	14	19 ¹ / ₂	24 ¹ / ₂	27 ¹ / ₂	31
B	3 ³ / ₈	7 ⁷ / ₁₆	7 ⁷ / ₁₆	1 ¹ / ₂	9 ⁹ / ₁₆	5 ⁵ / ₈	11 ¹¹ / ₁₆	11 ¹¹ / ₁₆	3 ³ / ₄	13 ¹³ / ₁₆	15 ¹⁵ / ₁₆	1	1 ¹ / ₁₆	1 ³ / ₁₆
C	4 ¹ / ₄	4 ⁵ / ₈	5	6	7	7 ¹ / ₂	8 ¹ / ₂	9	10	11	13 ¹ / ₂	16	19	21
D	4 ⁵ / ₁₆	4 ⁵ / ₁₆	4 ⁵ / ₁₆	4 ⁵ / ₃₂	5 ³ / ₄	6 ¹ / ₄	7 ⁵ / ₁₆	6 ⁷ / ₈	7 ⁹ / ₁₆	9 ¹ / ₄	11 ³ / ₄	13 ⁵ / ₈	11 ⁹ / ₁₆	15 ¹ / ₄
WT	10	10	10	12	14	18	20	28	37	55	95	146	222	269

