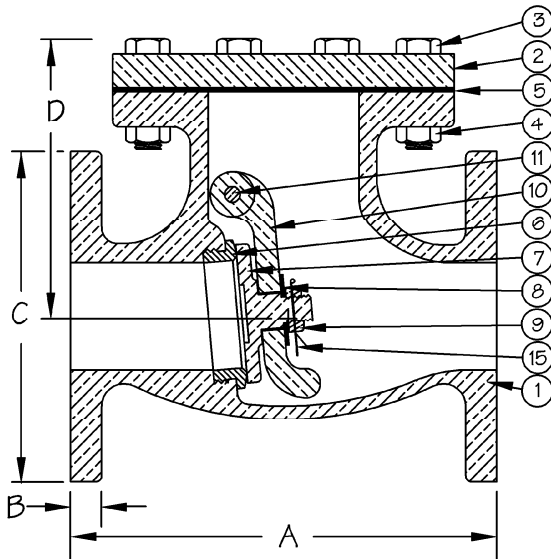


# BRONZE CHECK

100 PSI, 1-1/2" - 14"  
 FLANGED END, B.B., SWING CHECK  
 BRONZE TRIM

## FIGURE NO. NB01620A

MIL-Y-17547  
 END FLANGE DRILLING MIL-F-20042, 150 LB.



BILL OF MATERIALS			
	PART	MATERIAL	SPEC.
1	BODY	BRONZE	ASTM B61
2	BONNET	BRONZE	ASTM B61
3	BONNET BOLT	SILICON BRONZE	ASTM B98
4	BONNET NUT	SILICON BRONZE	ASTM B98
5	BONNET GASKET	SYNTHETIC RUBBER	MIL-PRF-1149, CL. 2
6	SEAT RING	BRONZE	ASTM B61
7	DISC	BRONZE	ASTM B61
8	DISC WASHER*	NAVAL BRASS	ASTM B21
9	DISC NUT	SILICON BRONZE	ASTM B98
10	HINGE	BRONZE	ASTM B61
11	HINGE PIN	NAVAL BRASS	ASTM B21
12	HINGE PIN PLUG (N.S.)	F.C. BRASS	ASTM B16
15	COTTER PIN	NI-CU ALLOY	COMMERCIAL

\*DISC WASHER USED IN 3-1/2" AND ABOVE.

### DIMENSIONS

SIZE	1-1/2	2	2-1/2	3	3-1/2	4	5	6	8	10	12	14
A	6	8	8 <sup>5</sup> / <sub>16</sub>	9	10 <sup>1</sup> / <sub>2</sub>	11 <sup>3</sup> / <sub>4</sub>	13 <sup>1</sup> / <sub>2</sub>	15 <sup>1</sup> / <sub>2</sub>	19 <sup>1</sup> / <sub>2</sub>	24 <sup>1</sup> / <sub>2</sub> *	27 <sup>1</sup> / <sub>2</sub>	31
B	7/16	7/16	1/2	1/2	1/2	1/2	9/16	9/16	5/8	11/16	3/4	13/16
C	5 <sup>1</sup> / <sub>16</sub>	5 <sup>9</sup> / <sub>16</sub>	6 <sup>1</sup> / <sub>8</sub>	6 <sup>5</sup> / <sub>8</sub>	7 <sup>3</sup> / <sub>16</sub>	7 <sup>11</sup> / <sub>16</sub>	9 <sup>1</sup> / <sub>16</sub>	10 <sup>1</sup> / <sub>8</sub>	12 <sup>3</sup> / <sub>8</sub>	15	17 <sup>5</sup> / <sub>8</sub>	19 <sup>1</sup> / <sub>8</sub>
D	4 <sup>5</sup> / <sub>16</sub>	4 <sup>5</sup> / <sub>32</sub>	5 <sup>3</sup> / <sub>4</sub>	6 <sup>1</sup> / <sub>4</sub>	7 <sup>5</sup> / <sub>16</sub>	6 <sup>7</sup> / <sub>8</sub>	7 <sup>9</sup> / <sub>16</sub>	9 <sup>1</sup> / <sub>4</sub>	11 <sup>3</sup> / <sub>4</sub>	13 <sup>5</sup> / <sub>8</sub>	11 <sup>9</sup> / <sub>16</sub>	15 <sup>1</sup> / <sub>4</sub>
WT	16	24	36	46	58	72	99	156	271	402	628	769

\*CAN FURNISH 22" FACE TO FACE WHEN SPECIFIED.

