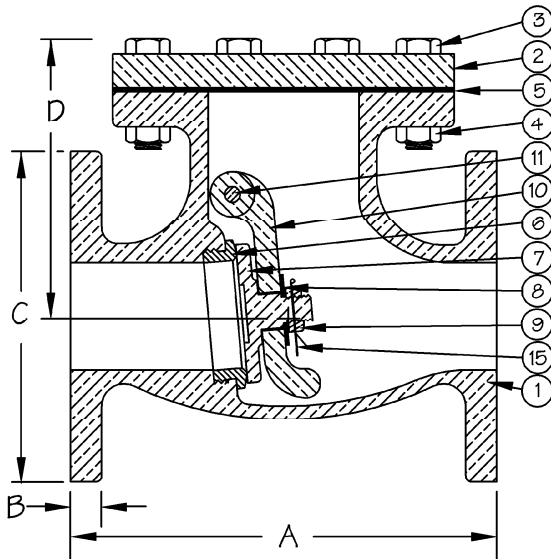


BRONZE CHECK

150 PSI, 1" - 14"
 FLANGED END, B.B., BRONZE TRIM
 SWING CHECK

FIGURE NO. B1620A



BILL OF MATERIALS			
PART	MATERIAL	SPEC.	
1	BODY	BRONZE	ASTM B61 or B62
2	BONNET	BRONZE	ASTM B61 or B62
3	BONNET BOLT	SILICON BRONZE	ASTM B98
4	BONNET NUT	SILICON BRONZE	ASTM B98
5	BONNET GASKET	SYNTHETIC RUBBER	MIL-PRF-1149, CL. 2
6	SEAT RING	BRONZE	ASTM B61 or B62
7	DISC	BRONZE	ASTM B61 or B62
8	WASHER*	BRONZE	ASTM B61
9	DISC NUT	SILICON BRONZE	ASTM B98
10	HINGE	BRONZE	ASTM B61 or B62
11	HINGE PIN	NAVAL BRASS	ASTM B21
12	HINGE PIN PLUG (N.S.)	F.C. BRASS	ASTM B16
15	COTTER PIN**	NI-CU ALLOY	COMMERCIAL

*WASHER USED IN 3-1/2" AND ABOVE.

**COTTER PIN USED IN 2-1/2" AND ABOVE.

DIMENSIONS

SIZE	1	1-1/4	1-1/2	2	2-1/2	3	3-1/2	4	5	6	8	10	12	14
A	5 ⁷ / ₈	6	6	8	8 ¹ / ₄	9 ¹ / ₂	10 ¹ / ₂	11 ¹ / ₄	13	14	19 ¹ / ₂	24 ¹ / ₂	27 ¹ / ₂	31
B	3/8	13/32	7/16	1/2	9/16	5/8	11/16	11/16	3/4	13/16	15/16	1	1 ¹ / ₁₆	1 ³ / ₁₆
C	4 ¹ / ₄	4 ⁵ / ₈	5	6	7	7 ¹ / ₂	8 ¹ / ₂	9	10	11	13 ¹ / ₂	16	19	21
D	4 ⁵ / ₁₆	4 ⁵ / ₁₆	4 ⁵ / ₁₆	4 ⁵ / ₃₂	5 ³ / ₄	6 ¹ / ₄	7 ⁵ / ₁₆	6 ⁷ / ₈	7 ⁹ / ₁₆	9 ¹ / ₄	11 ³ / ₄	13 ⁵ / ₈	11 ⁹ / ₁₆	15 ¹ / ₄
WT	12	14	14	24	39	49	58	78	107	161	284	436	667	809

