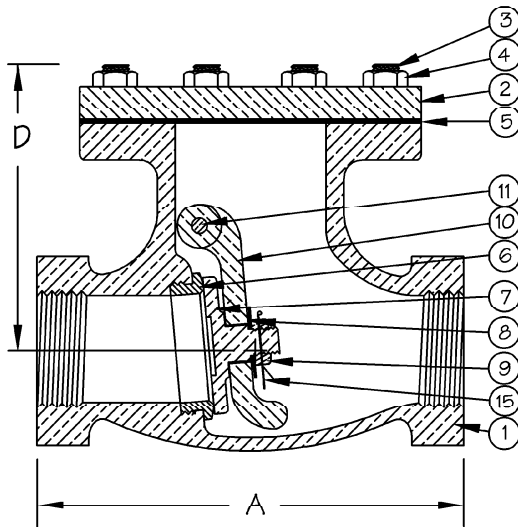


# BRONZE CHECK

300 PSI, 3/4" & 2"  
 THREADED END, B.B., BRONZE TRIM  
 SWING CHECK

**FIGURE NO. B3610A**



BILL OF MATERIALS			
	PART	MATERIAL	SPEC.
1	BODY	BRONZE	ASTM B61
2	BONNET	BRONZE	ASTM B61
3	BONNET STUD	NI-CU ALLOY	QQ-N-281, CL. A
4	BONNET NUT	NI-CU ALLOY	QQ-N-281, CL. A or B
5	BONNET GASKET	COMP.NON-ASBESTOS	GARLOCK 2900
6	SEAT RING	BRONZE	ASTM B61
7	DISC	BRONZE	ASTM B61
8	WASHER	NI-CU ALLOY	QQ-N-281
9	DISC NUT	NI-CU ALLOY	QQ-N-281, CL. A or B
10	HINGE	BRONZE	ASTM B61
11	HINGE PIN	NI-CU ALLOY	QQ-N-281, CL. A
12	HINGE PIN PLUG (N.S.)	NI-CU ALLOY	QQ-N-281
15	COTTER PIN	NI-CU ALLOY	COMMERCIAL

## DIMENSIONS

SIZE	3/4	2
A	5	9
D	4 $\frac{1}{4}$	4 $\frac{3}{4}$
WT	8	20

