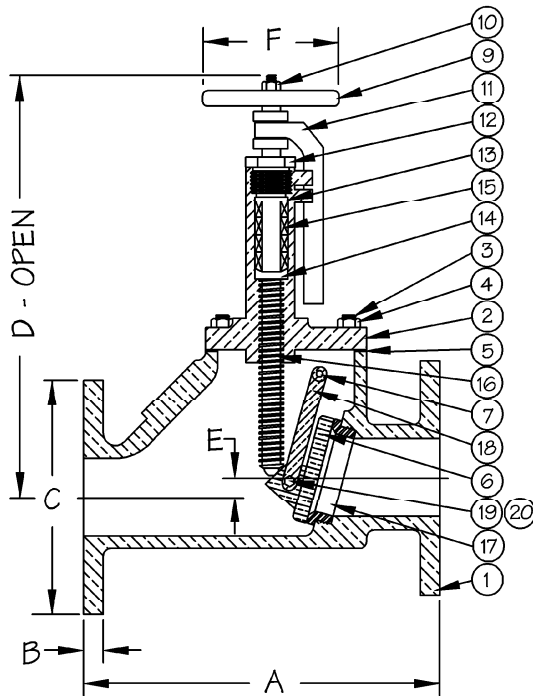


# BRONZE SCUPPER

150 PSI, 2" - 6",  
 FLANGED END, BRONZE TRIM,  
 DRILLED OR UNDRILLED,  
 WITH REPLACEABLE SEAT RING  
**FIGURE NO. B1626A**



## BILL OF MATERIALS

PART	MATERIAL	SPEC.
1 BODY	BRONZE	ASTM B61 or B62
2 BONNET	BRONZE	ASTM B61 or B62
3 BONNET STUD	SILICON BRONZE	ASTM B98
4 BONNET NUT	SILICON BRONZE	ASTM B98
5 BONNET GASKET	SYNTHETIC RUBBER	MIL-PRF-1149, CL. 2
6 DISC	BRONZE	ASTM B61 or B62
7 HINGE PIN	NAVAL BRASS	ASTM B21
8 HINGE PIN PLUG (N.S.)	F.C. BRASS	ASTM B16
9 HANDWHEEL	BRONZE	ASTM B61
10 WHEELNUT	SILICON BRONZE	ASTM B98
11 INDICATOR ASSEMBLY	BRONZE	ASTM B61 or B62
12 PACKING GLAND NUT	F.C. BRASS	ASTM B21
13 PACKING GLAND FOLLOWER	BRONZE	ASTM B61 or B62
14 PACKING GLAND	BRONZE	ASTM B61 or B62
15 STEM PACKING	SYNTHETIC TEFLON	COMMERCIAL
16 STEM	NI-CU ALLOY	QG-N-281
17 SEAT RING	BRONZE	ASTM B61 or B62
18 HINGE	BRONZE	ASTM B61 or B62
19 DISC BOLT	SILICON BRONZE	ASTM B98
20 DISC NUT	SILICON BRONZE	ASTM B98

AVAILABLE WITH OR WITHOUT GAG (45° or 90°).

## DIMENSIONS

SIZE	2	2-1/2	3	4	5	6
A	8	9 $\frac{1}{2}$	9 $\frac{1}{2}$	10 $\frac{1}{2}$	14	15
B	$\frac{1}{2}$	$\frac{9}{16}$	$\frac{5}{8}$	$\frac{11}{16}$	$\frac{3}{4}$	$\frac{13}{16}$
C	6	7	7 $\frac{1}{2}$	9	10	11
D	11 $\frac{5}{8}$	14	13 $\frac{1}{4}$	14 $\frac{1}{2}$	18 $\frac{1}{2}$	22 $\frac{1}{4}$
E	$\frac{1}{2}$	$\frac{9}{16}$	$\frac{1}{2}$	$\frac{1}{2}$	$\frac{5}{8}$	0
F	3	4	5	5	6	8
WT	26	38	45	62	78	104

