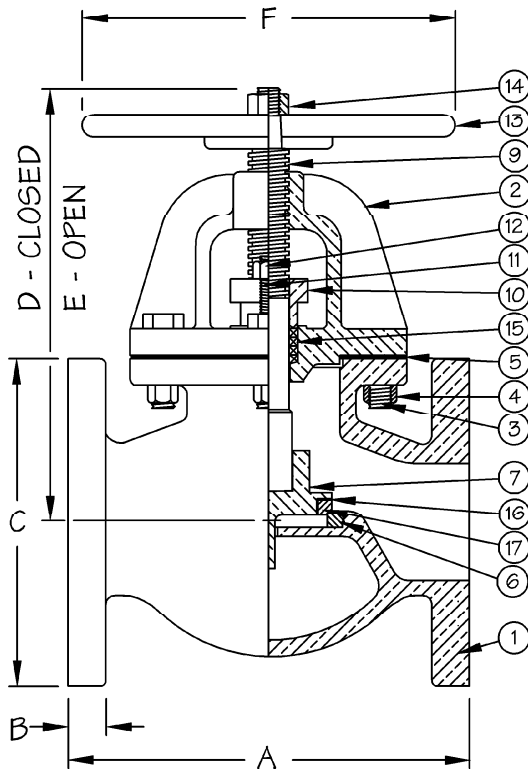


# BRONZE GLOBE

300 PSI, 1-1/2" - 6"  
FLANGED END, B.B., MONEL TRIM  
GLOBE STOP CHECK

**FIGURE NO. B3221E**



BILL OF MATERIALS			
PART	MATERIAL	SPEC.	
1	BODY	BRONZE	ASTM B61
2	BONNET	BRONZE	ASTM B61
3	BONNET BOLT	SILICON BRONZE	ASTM B98
4	BONNET NUT	SILICON BRONZE	ASTM B98
5	BONNET GASKET	SYNTHETIC RUBBER	MIL-PRF-1149, CL. 2
6	SEAT RING	NI-CU ALLOY	ASTM A494, GR. M30H
7	DISC*	BRONZE	ASTM B61
9	STEM	NI-CU ALLOY	QQ-N-281, CL. A
10	PACKING GLAND	BRONZE	ASTM B61
11	GLAND STUD	SILICON BRONZE	ASTM B98
12	GLAND NUT	SILICON BRONZE	ASTM B98
13	HANDWHEEL	ALUMINUM	COMMERCIAL
14	WHEELNUT	SILICON BRONZE	ASTM B98
15	STEM PACKING	SYNTHETIC TEFLON	COMMERCIAL
16	SILVER SOLDER	SILVER SOLDER	MIL-S-15395
17	INSERT	NI-CU ALLOY	QQ-N-288, COMP. A
32	SOLID MONEL DISC	NI-CU ALLOY	ASTM A494, GR. M30C
33	DISC ASSEMBLY	PCS 7, 16 & 17	SEE INDIVIDUAL PIECES

\*WHEN FURNISHED AS SOLID MONEL USE PART NO. 32.  
CAN BE FURNISHED AS STOP, FIGURE NO. B322E (PG.67)

## DIMENSIONS

SIZE	1-1/2	2	2-1/2	3	4	5	6
A	6 $\frac{1}{2}$	7 $\frac{1}{2}$	8 $\frac{3}{4}$	9 $\frac{13}{16}$	11 $\frac{3}{4}$	14 $\frac{3}{4}$	14 $\frac{3}{4}$
B	1 $\frac{11}{16}$	3 $\frac{3}{4}$	13 $\frac{13}{16}$	29 $\frac{13}{32}$	1 $\frac{1}{16}$	1 $\frac{1}{8}$	1 $\frac{3}{16}$
C	6 $\frac{1}{8}$	6 $\frac{1}{2}$	7 $\frac{1}{2}$	8 $\frac{1}{4}$	10	11	12 $\frac{1}{2}$
D	7 $\frac{3}{4}$	8 $\frac{3}{8}$	9 $\frac{3}{8}$	10 $\frac{1}{16}$	12 $\frac{1}{8}$	15 $\frac{1}{2}$	15 $\frac{1}{2}$
E	8 $\frac{5}{16}$	8 $\frac{7}{8}$	10	10 $\frac{7}{8}$	13 $\frac{3}{16}$	16 $\frac{7}{8}$	17
F	6	8	8	9	12	14	14
WT	32	36	53	75	108	144	168

