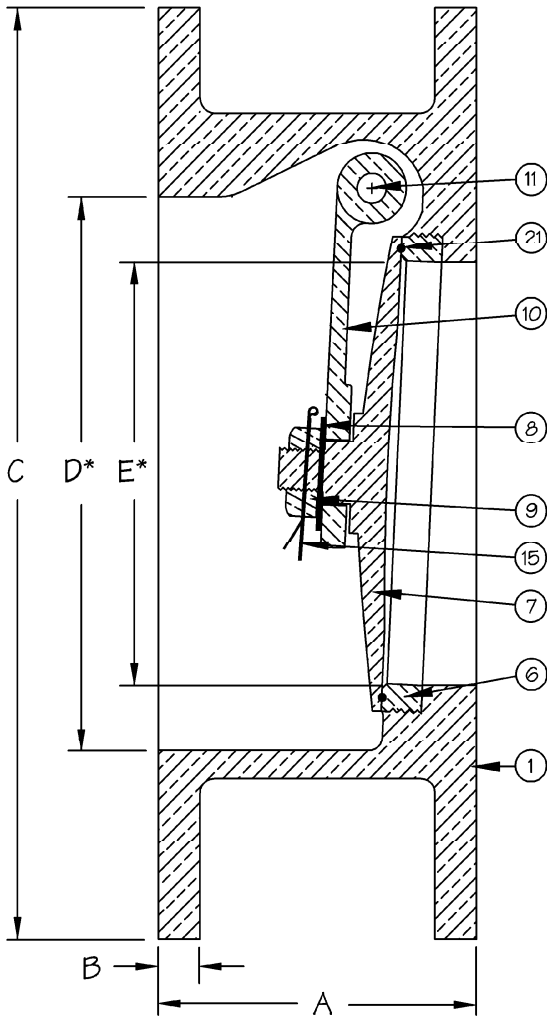


# DUCTILE WAFER

150 PSI, 2" - 20",  
FLANGED END, MONEL TRIM,  
DRILLED OR UNDRILLED,  
WAFER SWING CHECK WITH SPRING  
**FIGURE NO. WD1620E-SL**



BILL OF MATERIALS			
PART		MATERIAL	SPEC.
1	BODY	DUCTILE IRON	ASTM A395, GR. 60-40-18
6	SEAT RING	BRONZE	ASTM B61 or B62
7	DISC	NI-CU ALLOY	ASTM A494, GR. M30C
8	WASHER	BRONZE	ASTM B61
9	DISC NUT	NI-CU ALLOY	QQ-N-281, CL. A or B
10	HINGE	BRONZE	ASTM B61 or B62
11	HINGE PIN	NI-CU ALLOY	QQ-N-281, CL. A
12	HINGE PIN PLUG (N.S.)	F.C. BRASS	ASTM B16
15	COTTER PIN	NI-CU ALLOY	COMMERCIAL
19	SPRING (N.S.)	STAINLESS STEEL	AISI TYPE 316
20	SPRING KIT		
21	O-RING	BUNA-N	BUNA-N

INTEGRAL SEAT RING UP TO AND INCLUDING THE 6" SIZE.

## DIMENSIONS

SIZE	2	2-1/2	3	4	6	8	10	12	14	16	18	20
A	2 $\frac{1}{2}$	2 $\frac{5}{8}$	2 $\frac{7}{8}$	2 $\frac{7}{8}$	3 $\frac{7}{8}$	5	5 $\frac{3}{4}$	7 $\frac{1}{8}$	7 $\frac{1}{4}$	7 $\frac{1}{2}$	8	8 $\frac{5}{8}$
C	4	4 $\frac{7}{8}$	5 $\frac{3}{8}$	6 $\frac{3}{4}$	8 $\frac{5}{8}$	10 $\frac{7}{8}$	13 $\frac{1}{4}$	15	17 $\frac{5}{8}$	20 $\frac{1}{8}$	21 $\frac{1}{2}$	23 $\frac{3}{4}$
D*	2 $\frac{1}{8}$	2 $\frac{3}{4}$	3 $\frac{1}{2}$	4 $\frac{1}{2}$	6 $\frac{3}{8}$	8 $\frac{1}{2}$	10 $\frac{3}{8}$	12 $\frac{1}{8}$	13 $\frac{7}{8}$	15 $\frac{1}{2}$	17 $\frac{1}{2}$	19 $\frac{5}{8}$
E*	1 $\frac{1}{2}$	1 $\frac{3}{4}$	2 $\frac{3}{8}$	3 $\frac{1}{4}$	4 $\frac{3}{4}$	6 $\frac{5}{8}$	7 $\frac{7}{8}$	9 $\frac{7}{8}$	11 $\frac{1}{4}$	12 $\frac{7}{8}$	14 $\frac{1}{4}$	15 $\frac{1}{2}$

\* ESTIMATED

