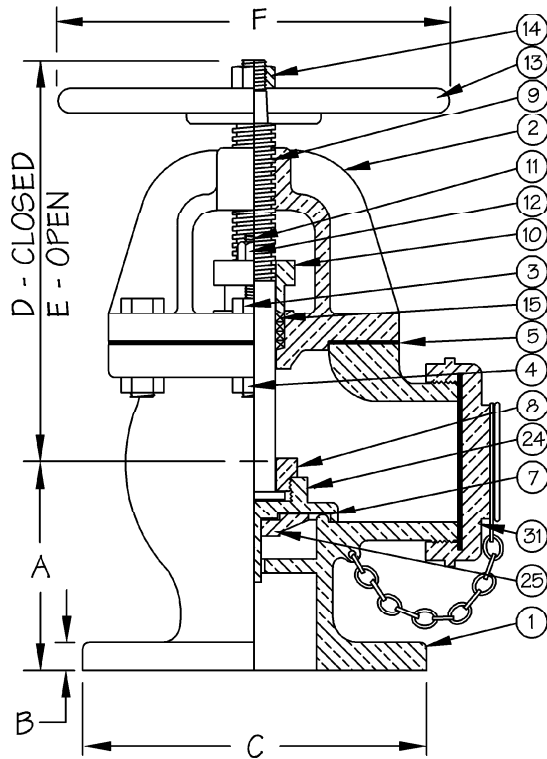


# BRONZE ANGLE

150 PSI, 1-1/2" - 4"  
 FLANGED BY HOSE ANGLE, B.B.,  
 MONEL STEM, WITH COMPOSITION DISC  
**FIGURE NO. B187EEC**



BILL OF MATERIALS			
PART	MATERIAL	SPEC.	
1	BODY	BRONZE	ASTM B61 or B62
2	BONNET	BRONZE	ASTM B61 or B62
3	BONNET BOLT	SILICON BRONZE	ASTM B98
4	BONNET NUT	SILICON BRONZE	ASTM B98
5	BONNET GASKET	SYNTHETIC RUBBER	MIL-PRF-1149, CL. 2
7	DISC	SYNTHETIC RUBBER	MIL-PRF-1149, CL. 2
8	DISC NUT	F.C. BRASS	ASTM B16
9	STEM	NI-CU ALLOY	QQ-N-281
10	PACKING GLAND	BRONZE	ASTM B61 or B62
11	GLAND STUD	SILICON BRONZE	ASTM B98
12	GLAND NUT	SILICON BRONZE	ASTM B98
13	HANDWHEEL	ALUMINUM	COMMERCIAL
14	WHEELNUT	SILICON BRONZE	ASTM B98
15	STEM PACKING	SYNTHETIC TEFLON	COMMERCIAL
24	DISC HOLDER	BRONZE	ASTM B61
25	DISC RETAINER	BRONZE	ASTM B61
31	HOSE CAP & CHAIN	BRONZE	ASTM B62

## DIMENSIONS

SIZE	1-1/2	2	2-1/2	4
A	$3\frac{1}{8}$	$3\frac{5}{8}$	$4\frac{5}{8}$	$5\frac{1}{2}$
B	$\frac{7}{16}$	$\frac{1}{2}$	$\frac{9}{16}$	$\frac{11}{16}$
C	5	6	7	9
D	$7\frac{9}{16}$	$7\frac{11}{16}$	$8\frac{1}{8}$	$11\frac{7}{8}$
E	$7\frac{15}{16}$	$8\frac{3}{16}$	$8\frac{7}{8}$	$12\frac{7}{8}$
F	6	6	8	9
WT	16	23	33	71

